

# Application Notes

## PS320 Quick Start

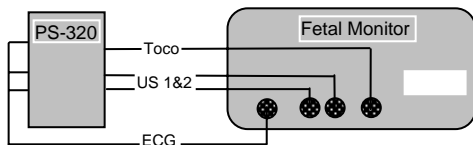
### PS320 Startup

#### Required accessories

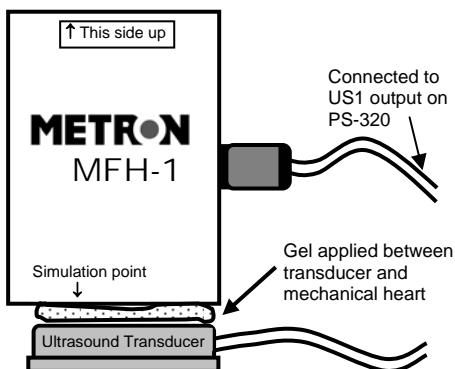
- Mechanical Fetal Heart (MFH) and/or ultrasound simulation cable(s)
- Toco simulation cable
- 9V DC battery eliminator (required to power MFH from PS320)

1. Connect the correct simulation cables to the PS320 and fetal monitor. Single or twin ultrasound simulation is available (1 or 2 US cables).

2. Connect the monitor's ECG leads to the ECG output posts on the PS320.



If using the MFH, connect it to the US1 output on the PS320 and connect US cable with transducer to the monitor.



**Important:** the PS320 must be powered by the 9 V battery eliminator when using the MFA. The MFH will not be driven by the PS320 under battery power.

### PS320 Operation / Simulation

1. Switch **ON** the PS320 (power switch located on top of the unit) and the fetal monitor. The default settings are active.

#### Default settings on the PS320:

- US 1 = 150 BPM (static)
- US 2 = NORMAL
- FETAL ECG = 150 BPM (sensitivity 1  $\mu$ V)
- MAT. ECG = 80 BPM (sensitivity 1  $\mu$ V)
- TOCO = 00 (sensitivity 5  $\mu$ V)

2. Utilize the front panel of the unit to:

- Increase or decrease fetal ECG rate and amplitude
- Increase or decrease maternal ECG rate and amplitude
- Select toco level and sensitivity
- Adjust display contrast

3. Press the **enter** key to confirm your selection.

4. For additional and advanced selections, utilize the **main**, **sub**, and **scroll** keys below the display.

- a. Make selection from **main** menu options.
  - FETAL ECG            - UTERINE ACTIVITY
  - MATERNAL ECG    - FETAL PATTERNS
  - AUXILIARY

b. Use the **sub** key to look at the selections available within the main selection.

c. Use the **scroll** key to move back through the selections in the sub menu.

d. Press **enter** to confirm the selection and make the change.

5. Use the **view** key at any time to view the settings that are currently active on the PS320.

### Fluke Biomedical

6045 Cochran Road, Cleveland, OH 44139-3303 U.S.A.  
 Tel: 440.248.9300, Toll free: 800.850.4608, Fax: 440.349.2307  
 Email: sales@flukebiomedical.com  
[www.flukebiomedical.com](http://www.flukebiomedical.com)